

4

3

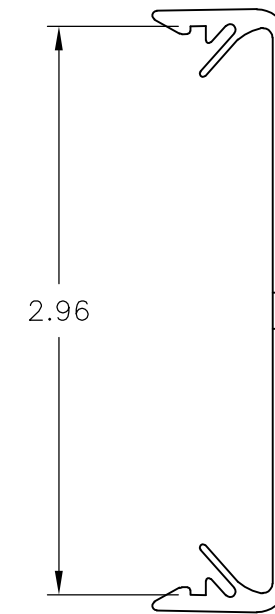
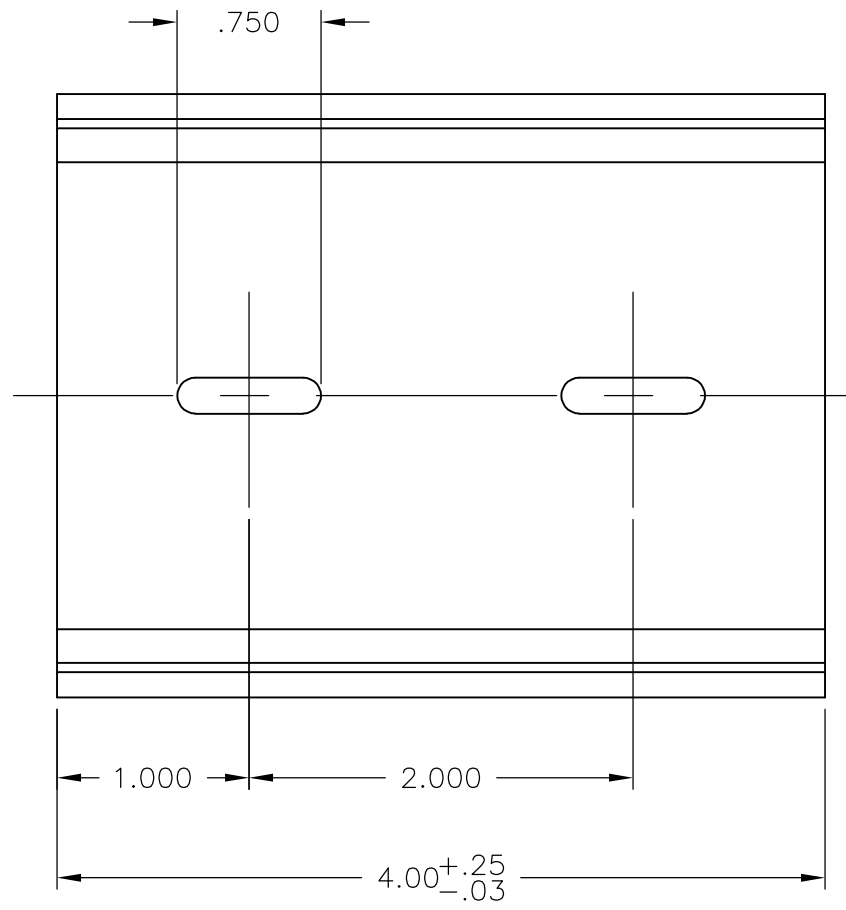
2

1

THIS DRAWING IS UNPUBLISHED. RELEASED FOR PUBLICATION
 © COPYRIGHT - BY TYCO ELECTRONICS CORPORATION. ALL INTERNATIONAL RIGHTS RESERVED.

LOC		DIST		REVISIONS			
P	LTR	DESCRIPTION		DATE	DWN	APVD	
-	-	A	-	2/4/10	SS	CR	

- 1 MATERIAL: RIGID PVC, COLOR: GRAY.
- 2. RECOMMENDED PC BOARD WIDTH: 3.0".



TK2-4S	7-1437685-7
DESCRIPTION	PART NUMBER

THIS DRAWING IS A CONTROLLED DOCUMENT.		DWN S SCHLEGEL	2/4/10	Tyco Electronics Corporation Harrisburg, PA 17105-3608	
DIMENSIONS: INCHES		CHK C RICHARD	2/4/10		
		APVD C RICHARD	2/4/10	NAME TK2-4S SNAPTRACK SPECIAL	
TOLERANCES UNLESS OTHERWISE SPECIFIED:		PRODUCT SPEC		-	
0 PLC ± -		APPLICATION SPEC		-	
1 PLC ± -		WEIGHT		-	
2 PLC ± .02		SIZE		A3	
3 PLC ± .015		CAGE CODE		00779	
4 PLC ± -		DRAWING NO		G-7-1437685-7	
ANGLES ± 1°		RESTRICTED TO		-	
MATERIAL		CUSTOMER DRAWING		SCALE 1:1	
FINISH		SHEET 1 OF 1		REV A	